

## 1. Kit Includes



T5\_R5-eSUF



eSATA to eSATA Cable



FireWire800 Cable



FireWire400/800 Cable



A-to-B type USB 2.0 Cable



eSATAP-BKT



FireWire Controller



Rack Keys



Power Cord

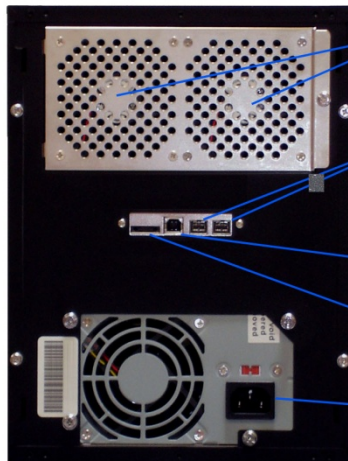


User's Manual

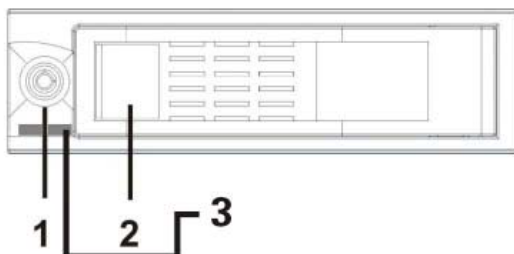
## 2. Overview



- RAID control panel
- power button
- power LED



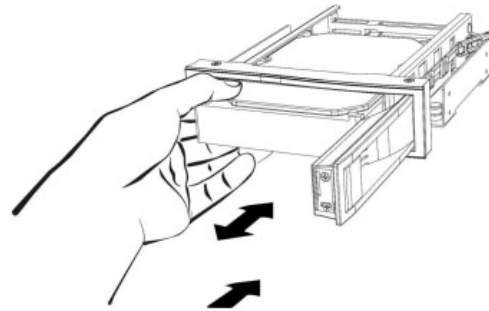
- dual exhaust fan
- firewire800 connector
- usb2.0 connector
- esata connector
- power connector



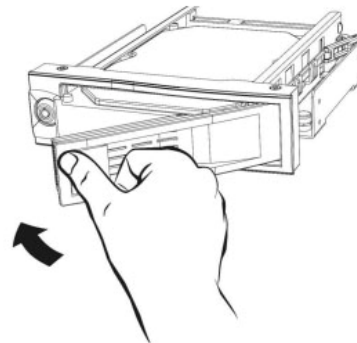
1. key lock
2. Spring lock
3. LED indicator (for Power & Access)

## 3. Installation

1. Pull the spring lock latch to open the tray and slide in your hard drive.



2. Push the hard drive tray door in to secure the hard drive.



3. Use the included keys to lock in the hard drives.
4. Refer to your T5\_R5-eSUF user manual to configure the storage system.

For more information, questions or contact, please visit our forum: <http://www.datoptic.com/cgi-bin/yabb/YaBB.cgi>.

**DAT Optic, Inc.**  
 1815 E. Wilshire Ave., Ste. 906  
 Santa Ana, CA. 92705  
 Tel.: 714 558.1808  
 Fax.: 714.558.3229  
[www.datoptic.com](http://www.datoptic.com)